

LINE ECO Recessed

LE70FP-V2





LE70FP-V2

Basic Parameters

Material	AL6063-T5,spraying surface
IP Grade	IP20
Warranty	5 years

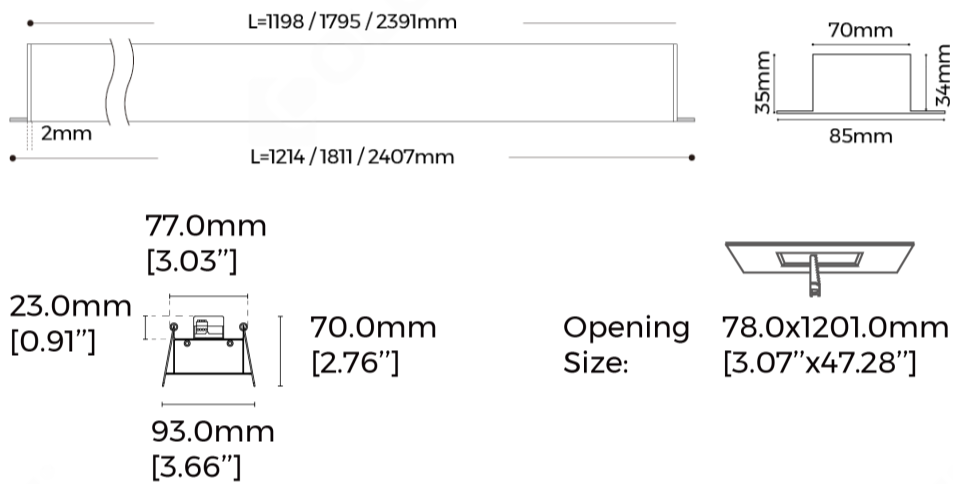
Electrical Parameters

Input Voltage	AC220-240V
Control	Non-Dimming,1-10V Dimming,DALI Dimming

Optical Parameters

Version	Regular,High efficiency,Regular-3 CCT Dial Switch,High efficiency-3 CCT Dial Switch
SDCM	<3 Step (ANSI)
UGR(X=4H,Y=8H)	≤19
Length	1200mm,1800mm,2400mm
CRI	>80,>90
CCT	2700K,3000K,4000K,6500K,3000K-4200K-6500K
Luminous Efficacy	110LM/W(Regular),100LM/W(Regular-3 CCT Dial switch) 135LM/W(High efficiency),115LM/W(High efficiency-3CCT Dial switch)

Dimensions



Luminaire Parameters

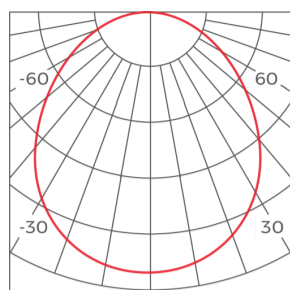
Version	Length	Type Power (W)	PCB Current(A)	CRI	CCT	Lumens(LM) @White, Sliver	Lumens(LM) @Black
Regular	1200mm	28W	0.65	>80	4000K	3080	2772
Regular	1800mm	42W	1	>80	4000K	4620	4158
Regular	2400mm	56W	1.3	>80	4000K	6160	5544
Regular	1200mm	28W	0.65	>90	4000K	2648	2383
Regular	1800mm	42W	1	>90	4000K	3973	3575
Regular	2400mm	56W	1.3	>90	4000K	5297	4767
High-Efficiency	1200mm	28W	0.65	>80	4000K	3780	3402
High-Efficiency	1800mm	42W	1	>80	4000K	5670	5103
High-Efficiency	2400mm	56W	1.3	>80	4000K	7560	6804
High-Efficiency	1200mm	28W	0.65	>90	4000K	3488	3140
High-Efficiency	1800mm	42W	1	>90	4000K	5233	4710
High-Efficiency	2400mm	56W	1.3	>90	4000K	6977	6280
Regular-3 CCT Dial Switch	1200mm	28W	0.65	>80	3000K-4200K-6500K	2520/2800/2660	2268/2520/2394
Regular-3 CCT Dial Switch	1800mm	42W	1	>80	3000K-4200K-6500K	3780/4200/3990	3402/3780/3591
Regular-3 CCT Dial Switch	2400mm	56W	1.3	>80	3000K-4200K-6500K	5040/5600/5320	4536/5040/4788
Regular-3 CCT Dial Switch	1200mm	28W	0.65	>90	3000K-4200K-6500K	2167/2408/2287	1950/2167/2058
Regular-3 CCT Dial Switch	1800mm	42W	1	>90	3000K-4200K-6500K	3250/3612/3354	2925/3250/3018

Regular-3 CCT Dial Switch	2400mm	56W	13	>90	3000K-4200K-6500K	4334/4816/4575	3900/4334/4117
High efficiency-3 CCT Dial Switch	1200mm	28W	0.65	>80	3000K-4200K-6500K	3080/3220/3220	2772/2898/2898
High efficiency-3 CCT Dial Switch	1800mm	42W	1	>80	3000K-4200K-6500K	4620/4830/4830	4158/4347/4347
High efficiency-3 CCT Dial Switch	2400mm	56W	13	>80	3000K-4200K-6500K	6160/6440/6440	5544/5796/5796
High efficiency-3 CCT Dial Switch	1200mm	28W	0.65	>90	3000K-4200K-6500K	2833/2962/2962	2549/2665/2665
High efficiency-3 CCT Dial Switch	1800mm	42W	1	>90	3000K-4200K-6500K	4250/4443/4443	3825/3998/3998
High efficiency-3 CCT Dial Switch	2400mm	56W	13	>90	3000K-4200K-6500K	5297/5538/5538	4767/4984/4984
Regular	1200mm	28W	0.65	>80	2700K	2618	2356
Regular	1800mm	42W	1	>80	2700K	3927	3534
Regular	2400mm	56W	13	>80	2700K	5236	4712
Regular	1200mm	28W	0.65	>90	2700K	2251	2026
Regular	1800mm	42W	1	>90	2700K	3377	3039
Regular	2400mm	56W	13	>90	2700K	4502	4052
High-Efficiency	1200mm	28W	0.65	>80	2700K	3591	3231
High-Efficiency	1800mm	42W	1	>80	2700K	5386	4847
High-Efficiency	2400mm	56W	13	>80	2700K	7182	6463
High-Efficiency	1200mm	28W	0.65	>90	2700K	3303	2973
High-Efficiency	1800mm	42W	1	>90	2700K	4955	4460
High-Efficiency	2400mm	56W	13	>90	2700K	6607	5946
Regular	1200mm	28W	0.65	>80	3000K	2772	2494
Regular	1800mm	42W	1	>80	3000K	4158	3742
Regular	2400mm	56W	13	>80	3000K	5544	4989
Regular	1200mm	28W	0.65	>90	3000K	2383	2145
Regular	1800mm	42W	1	>90	3000K	3575	3218
Regular	2400mm	56W	13	>90	3000K	4767	4291
High-Efficiency	1200mm	28W	0.65	>80	3000K	3780	3402
High-Efficiency	1800mm	42W	1	>80	3000K	5670	5103
High-Efficiency	2400mm	56W	13	>80	3000K	7560	6804
High-Efficiency	1200mm	28W	0.65	>90	3000K	3488	3140
High-Efficiency	1800mm	42W	1	>90	3000K	5233	4710
High-Efficiency	2400mm	56W	13	>90	3000K	6977	6280
Regular	1200mm	28W	0.65	>80	6500K	3080	2772
Regular	1800mm	42W	1	>80	6500K	4620	4158
Regular	2400mm	56W	13	>80	6500K	6160	5544
Regular	1200mm	28W	0.65	>90	6500K	2648	2383
Regular	1800mm	42W	1	>90	6500K	3973	3575
Regular	2400mm	56W	13	>90	6500K	5297	4767
High-Efficiency	1200mm	28W	0.65	>80	6500K	3780	3402
High-Efficiency	1800mm	42W	1	>80	6500K	5670	5103
High-Efficiency	2400mm	56W	13	>80	6500K	7560	6804
High-Efficiency	1200mm	28W	0.65	>90	6500K	3488	3140
High-Efficiency	1800mm	42W	1	>90	6500K	5233	4710
High-Efficiency	2400mm	56W	13	>90	6500K	6977	6280

1. The output data is based on the testing result of Ra80,4000k,white luminaires;
2. The tolerance of output data can be vary up to 10%;
3. The output data is typical value;

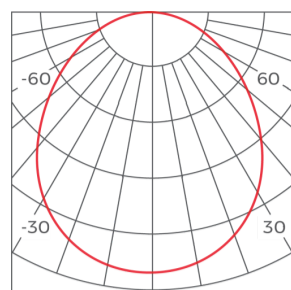
Light Distribution

Regular-90°



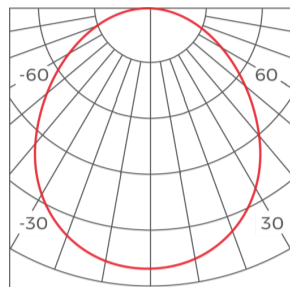
h(m)	D(cm)	E(lx)
1	200	1566
2	401	391
3	602	174
4	802	97

High efficiency-90°



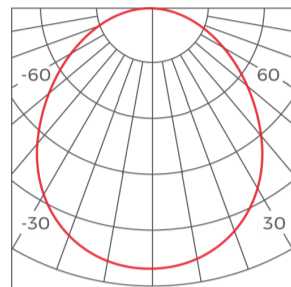
h(m)	D(cm)	E(lx)
1	202	1883
2	404	470
3	607	209
4	809	117

Regular-3 CCT Dial Switch-90°



h(m)	D(cm)	E(lx)
1	202	1278
2	404	319
3	607	142
4	809	79

High efficiency-3 CCT Dial Switch-90°



h(m)	D(cm)	E(lx)
1	201	1488
2	403	372
3	604	165
4	806	93

*The above data is based on a white coated, 1200mm length lamp with Ra80,4000K.

Packing

Size (mm/box)	Quantity /box	QTY/CTN	NW (kg/box)	N. WT (ctn)	G.WT (ctn)	Size (cm/carton)	Product Size (mm)
L1218*W97*H74	1	4	1.54	6.16	7.36	123*21.9*15.4	1214*93*70mm
L1815*W97*H74	1	4	2.31	9.24	11.04	183*21.9*15.4	1811*93*70mm
L2407*W97*H74	1	4	3.08	12.32	14.72	242*21.9*15.4	2407*93*70mm

Attentions

1. Non-professionals are prohibited from installing, disassembling and repairing the product.
2. Avoid scratching, distortion and irregular bending of the product during installation; otherwise it may cause irreparable damage to the product.
3. Please use professional cutting tools when cutting.
4. Do not use any acid or alkaline adhesive to fix products.
5. The product is only suitable for indoor dry places, can not be used in outdoor, seaside or wet environment.
6. PC features: Each 10°C rise or drop will make diffuser extend or shrink 0.8mm/m, please confirm before processing and use.